

17" Combo VGA LCD KVM Switch

xKVM-210-xM series

Quick Installation Guide

Table of Contents

1. Introduction	3
2. Package Contents	4
3. Physical Introduction	5
3.1 8-/16-Port Combo KVM Switch	5
3.2 Rear Panel of IP Module	7
(IKVM-210-08M/IKVM-210-16M only)	7
3.2.1 System Requirements	7
3.2.2 IPKVM Software Installation	8
3.2.3 Web Management	10
4. Hardware Installation	12
5. Hardware Installation	15
Further Information:	16

1. Introduction

Thank you for purchasing PLANET 17" Combo VGA LCD KVM Switch. The "**xKVM-210-xM series**" is used as an alternative name in this Quick Installation Guide. The following is the xKVM-210-xM series:

KVM-210-08M	17" 8-Port Combo VGA LCD KVM Switch
KVM-210-16M	17" 16-Port Combo VGA LCD KVM Switch
IKVM-210-08M	17" 8-Port Combo VGA LCD IP KVM Switch
IKVM-210-16M	17" 16-Port Combo VGA LCD IP KVM Switch

2. Package Contents

The KVM Switch provides a useful function that controls a computing infrastructure that combines multiple computers with other peripherals.

Open the box of the KVM Switch and carefully unpack it. The box should contain the following items:

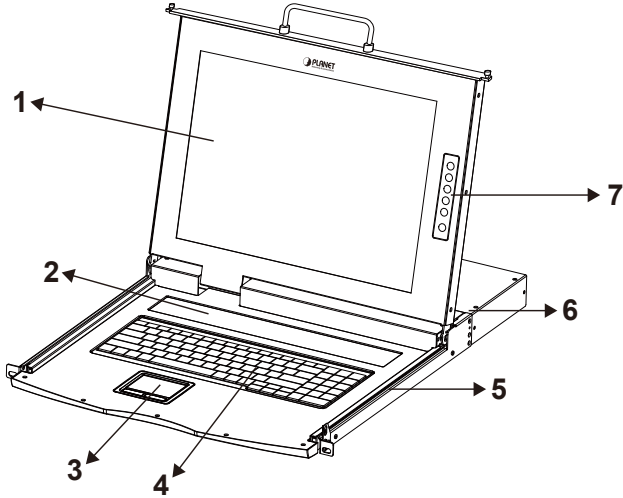
- LCD KVM Switch x 1
- Quick Start QR Code Sheet x 1
- KVM Cable x 1
- Power Adapter x 1
- Power Cord x 1
- Rack-mounting Kit x 1
- Stand Kit x 1
- M6 Screw x 12
- IP Module x 1 (IKVM-210-08M/IKVM-210-16M only)

If any item is found missing or damaged, please contact your local reseller for replacement.

3. Physical Introduction

3.1 8-/16-Port Combo KVM Switch

Control Platform



No.	Component	Function Description
1	LCD	17" LCD screen
2	Port Select Panel	Switch the Port Number and display the online port
3	Touchpad	Mouse Operation
4	Keyboard	Keyboard Operation
5	Slide Rail	Single Slide Rail
6	8-/16-port KVM	Modular KVM for 8/16 ports
7	LCD Panel OSD Buttons	Controls Display Required Quality


Rear Panel



KVM-210-08M



KVM-210-16M

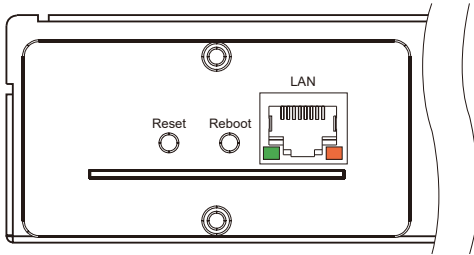
Interface	Description
Power Jack	<p>The input power is 12V DC.</p> <div style="border: 1px solid black; padding: 5px; margin-top: 10px;">  <p>Note Use the power adapter included in the package; otherwise, it may damage the unit and result in danger.</p> </div>
USB Port	Plug external USB keyboard and mouse into this port.
Computer Port	Install the KVM cable connected to a PC here.

Port Select Panel



Interface	Description
Online	If a corresponding LED number is on, it means the port is online. Otherwise, the port is off.
Select	The selected port number will display here in segment display.
RST	Detect the PS2/USB signal of port again.
ENT	User can select by pressing the number buttons and press "ENT" to confirm, then it will switch to the corresponding port. If that port is offline or the wrong number is pressed which is not included in display scope, there will be no response, but just keep the present status.

3.2 Rear Panel of IP Module (IKVM-210-08M/IKVM-210-16M only)



Interface	Description
LAN Port	One 10/100/1000BASE-T RJ45 auto-MDI/MDI-X port.
Reboot	Press and release to restart the system.
Reset	Press for 5 seconds to reset to factory default.

3.2.1 System Requirements

PLANET IKVM Series provides an IPKVM utility to remotely control the server. The following are required for further management:

CPU	Intel Dual Core 2.0GHz or higher
RAM	2GB or above recommended
Video RAM	128MB or above recommended
Operating System	Windows 7/10 or higher
Video Resolution	800x600, 1024x768, 1280x720, 1280x800, 1280x1024, 1920x1080
Browser version	<ul style="list-style-type: none"> ■ IE10.0 or higher ■ Firefox 48.0.2 or higher ■ Google Chrome 23.0.1271.97m or higher



Note

1. The video resolution is based on the monitor and display card. Please select Full HD monitor and display card for IKVM Series.
2. The maximum video resolution of LCD is 1280x1024 with IKVM-210-08M/16M, so remote video solution only supports 1280x1024 or lower.

3.2.2 IPKVM Software Installation

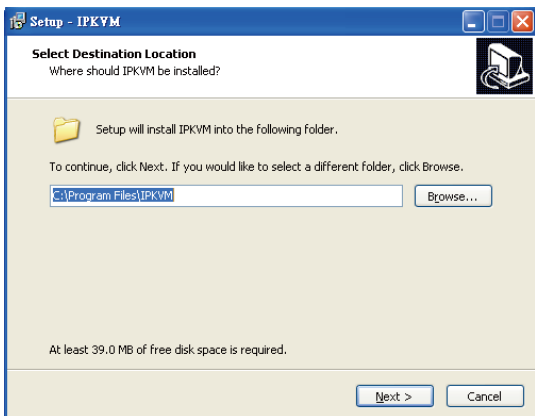
Step 1. Insert the bundled CD disk into the CD-ROM drive to launch the autorun program. Once completed, a welcome screen will appear. Click the **“Utility (IPKVM Software)”** button and the InstallShield Wizard dialog box will appear as shown below.



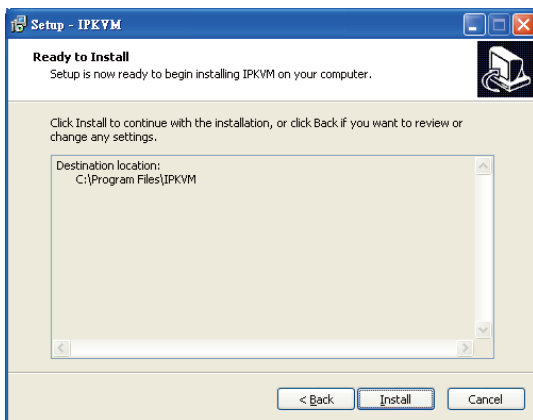
Note

If the PC or workstation is not equipped with CD-ROM driver, please download the IPKVM software from the PLANET website. <http://www.planet.com.tw/en/support/download.php?view=8184&key=IKVM-210#list>

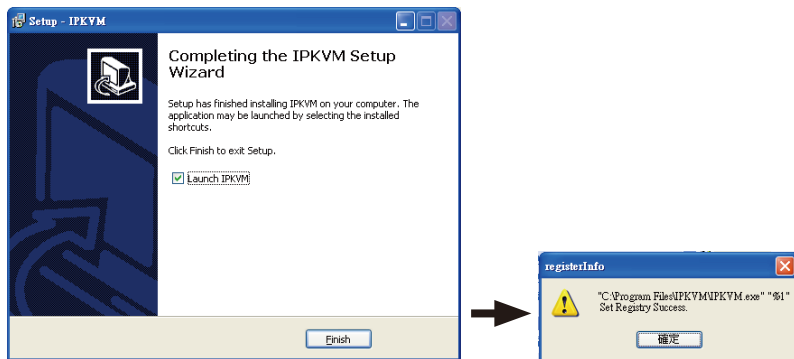
Step 2. Once the Setup program starts running, please click the **“Next”** button for starting installation.



Step 3. Click **“Install”** for starting installation.



Step 4. Click the **“Finish”** button for completing the IPKVM Setup.



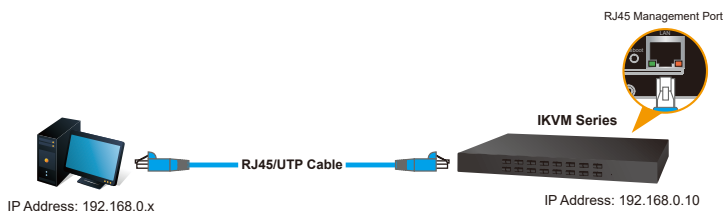
Note

Please do not disable the **Launch IPKVM**. The IKVM needs registry to initiate the IPKVM software to enable to remotely control PC.

3.2.3 Web Management

The following shows how to start up the **Web Management** of the IKVM-210 Series. Note the IKVM-210 Series is configured through an Ethernet connection.

Step 1. Connect manager PC to RJ45 LAN port to enable to remotely manage a PC. The default IP address of the IKVM-210 Series is 192.168.0.10, then the manager PC should be set to 192.168.0.x (where x is a number between 1 and 254, except 10), and the default subnet mask is 255.255.255.0.




Default DHCP Client	N/A
Default IP Address	192.168.0.10
Default Port	80
Default Login User Name	admin
Default Login Password	admin
Search Tools	PLANET Smart Discovery Lite

Step 2. Log in the Web Management. The username and password are both **admin**.



The screenshot shows the login interface of the PLANET Web Management system. The 'User Name' field is filled with 'admin'. The 'Password' field is masked with six black dots. A 'Login' button is positioned below the password field. The PLANET logo is visible in the top left corner of the interface.

After logging in, you will be required to change the password. The password must contain 8-32 characters, including upper case, lower case, numerals and other symbols. Please note that spaces are not allowed.

Please create a new password and log in again

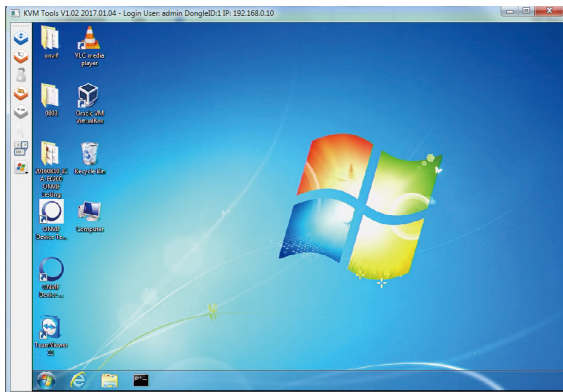
Step 3. Go to the Console and press  icon to link the “IPKVM.exe” to enter the remote console as shown below.








Online Console

Modify	PortID	Name	Type	Group	UID	Status	Client	Position1	Position2	Department
	1	IKVM-210	usb		C:\USB\100000000000	idle				

```
"C:\Program Files (x86)\IPKVM\IPKVM.exe" "%1"
```

Step 4. Show the console at desktop.

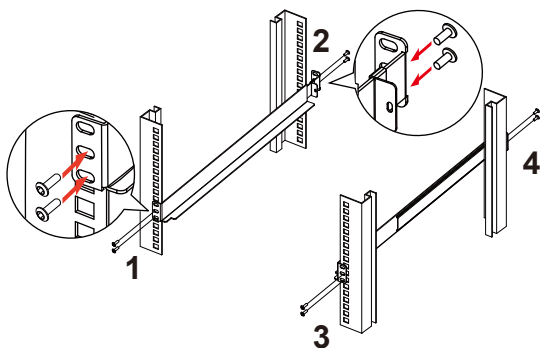


Parameters	Description
 Full Screen	Press the Full Screen to make display in full screen.
 Align Mouse	<p>After login, system will automatically calibrate mouse. If it fails, please click Align Mouse on the left to operate manually.</p> <div style="border: 1px solid #4a86e8; padding: 5px; margin-top: 10px;">  <p>Note</p> <p>A different OS has a different mouse setting. Please refer to the user manual for setting the mouse first.</p> </div>
 Video Config	Adjusting display area of screen.
 Mouse Show	The mouse can appear or hide by clicking it.
 Set Key	Remote hot-key edit button -- hot-key operation can be added in the pop-up dialog with the button clicked.
 Show Key	Choose the remote shortcut key directly to operate the controlled machine.

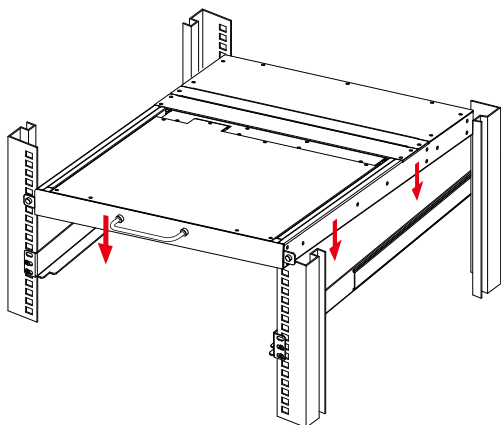
4. Hardware Installation

The LCD KVM provides a standard 19-inch rack for the installation of devices. Please use the rack installation accessories attached with the product package. First install the accessories to the device and then the device to the rack.

Step 1. Screw the front flange to the rack first. Slide the bars with the rear flange towards the rack until the flanges make contact with the rack, and then screw the rear flanges to the rack.



Step 2. Slide the switch onto the support flanges. Use the screws supplied with this package to loosely attach the front of the switch to the front of the rack.

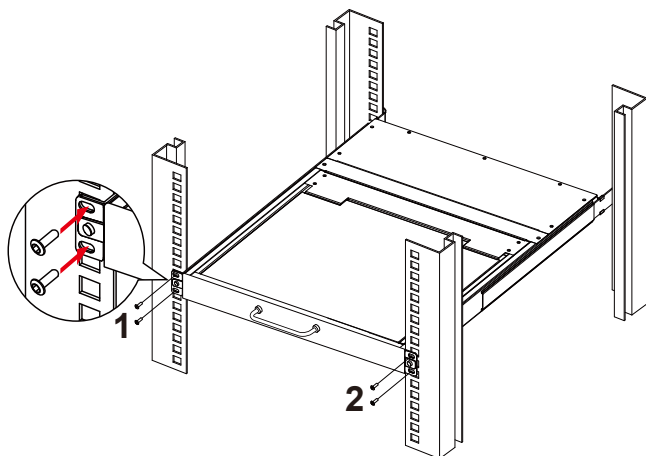




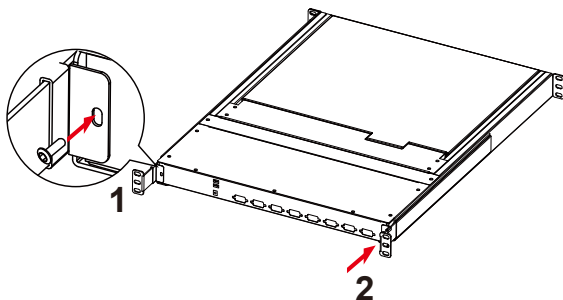
Note

1. You must use the screws supplied with the mounting brackets. Damage caused to the parts by using incorrect screws would invalidate your warranty.
2. Please make sure computer and switch KVM are turned off.

Step 3. Slide the rear attachment sliding brackets along the slide bars until they contact the rear of the switch.

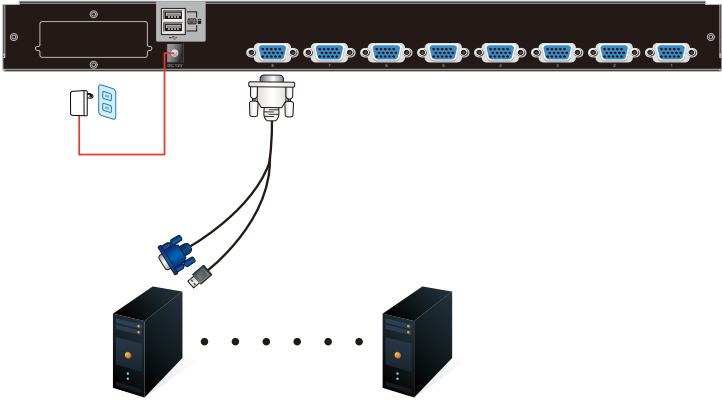


Step 4. Use the screws supplied with this package to attach the bars to the rear of the switch.



Step 5. Connect a PC to a computer port of the KVM, for example port 1.

KVM-210-08M Rear Panel



Step 6. Attach the power supply to the KVM unit and plug the other end into an electrical receptacle. Now you will see the LED for Port 1 light up. Switch on your monitor from the Port Select button.



Note

The KVM switch is equipped with a hot plug function; however, it's important to take precautions to prevent occasional short circuits. Ensure the pins of the KVM connection cable do not make contact with the hex screws to avoid any such occurrences.

5. Hardware Installation

There are three ways to switch PC. Please see below the operation instructions for more understanding.

Manual Key

You just need to press the **Port Select Button** on the front panel of the KVM. The **Selection LED (Green)** is on, indicating that you are switching to the corresponding port.



Note

The Port Select Button functions only when connected to a PC.

Switch Hotkey

You can select the **QVS (Quick View Setting)** from the OSD of the PC first (for a quick switch of PC) and use the **keyboard** to switch to the previous or next set of PC.

Scroll + Scroll + Num (Default setting)

Ctrl + Ctrl + Num

Alt + Alt + Num

Shift + Shift + Num

Example: Press Scroll + Scroll + 02 and switch to PC port 2.

OSD (On Screen Display) Activating Key

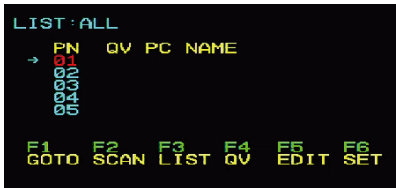
Press the **Activating Key** to start the OSD.

Ctrl + Ctrl (Default setting)

Scroll + Scroll with Fn key

Alt + Alt

Shift + Shift



OSD Screen appears after pressing "Ctrl" twice

Further Information:

The above steps introduce the simple installation of the IKVM Switch. For further details on the installation of the IKVM Switch, please refer to the user manual which can be downloaded from the PLANET website.

<https://www.planet.com.tw/en/support/download.php?view=3&key=IKVM-210#list>



Please download the IPKVM software from the PLANET website.

<https://www.planet.com.tw/en/support/download.php?view=8184&key=IKVM-210#list>



If you have further questions, please contact the local dealer or distributor where you purchased this product or you can contact PLANET directly at the following email address: support@planet.com.tw

Copyright © PLANET Technology Corp. 2024

Contents are subject to revision without prior notice.

PLANET is a registered trademark of PLANET Technology Corp.

All other trademarks belong to their respective owners.